

Active Vision Inc.

The Most Trusted Name in Video Surveillance

High Performance Video Distributor
Model Number: ACA-VD124

Product Description:

The ACA-VD124 is a 1 input, 4 output video distributor. Superior to other video distributors, the ACA-VD124 can split a single input to up to 4 outputs with no loss in signal strength. The built in signal booster ensures that you will enjoy a crisp, clear picture and is perfect for those applications that demand high quality and performance.



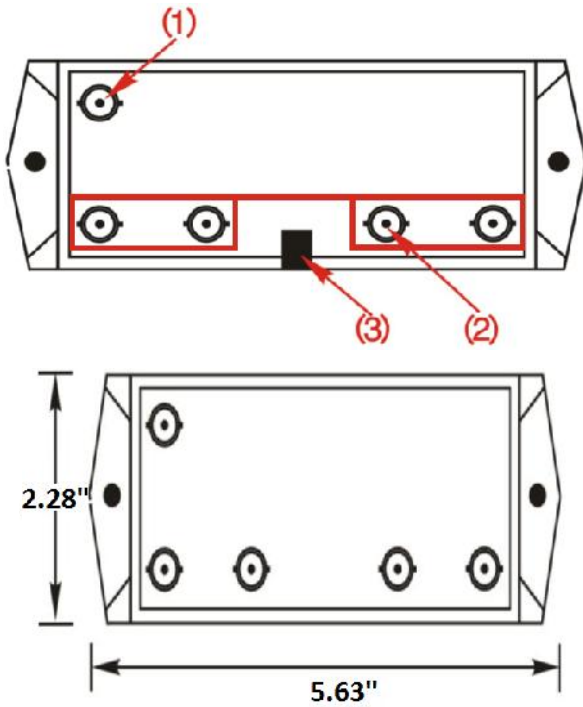
Product Features:

Video	1 Video Input, 4 Video Outputs
Input Video	0.7 ~ 1.4Vp-p, 75ΩBNC
Output Video	0.7 ~ 1.4Vp-p, 75ΩBNC
Frequency response	10MHz±1dB
Power Supply	DC12V 300mA Max
Power Consumption	3W
Insertion loss	0dB
Anti-transient ability	6000V 1.2μS x 50μS
Weighted S/ N	≥60dB
Operation temperature	-25°C ~ +70°C
Humidity	0 ~ 95% (Non-condense)
Net weight	6.0 Oz

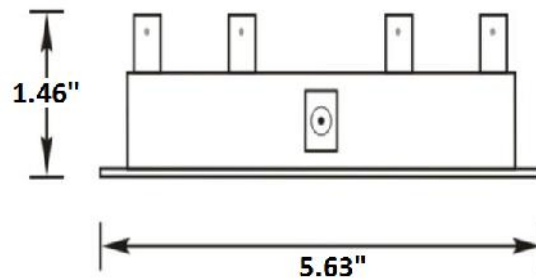
Active Vision Inc.

The Most Trusted Name in Video Surveillance

Product Terminals and Dimensions:



- (1)---- Video Input
- (2)---- Video Output
- (3)---- Power Input (DC12V 300mA)



Product Connection Diagram:



Product Installation Instructions:

1. Connect the BNC video input of the ACA-VD124 to the output of your PAL/NTSC video source.
2. Connect the BNC video outputs of the ACA-VD124 to a composite video input of any PAL/NTSC monitoring or recording device.
3. Connect the 12VDC power supply to the ACA-VD124 Power Port.